

JETWAVE® | HIGH PRESSURE
CLEANERS

 ENGLISH
VERSION

SENATOR™ G2

HIGH PRESSURE CLEANER RANGE

PSI
4000 - 7000

L/PM
20 - 31

OUTPUT
COLD WATER

ENGINE TYPE
V-TWIN PETROL & EFI 630-800CC

DRIVE
GEARBOX 1450RPM

JETWAVE
POWERED by
HONDA™

G2 MORE FEATURES.
MORE INNOVATION.
MORE TECHNOLOGY.



A DECISIVE STEP INTO THE FUTURE PACKED WITH INNOVATION.



JETWAVE ABOUT US VIDEO

SENATOR™ G2

The Jetwave Senator™ G2 range revolutionises the typical petrol driven high pressure cleaner. Australian engineered and assembled; its innovation provides a compact powerful, safe and easy to use unit that encompasses an all new Stainless Steel Exoskeleton (PEXO™) & multi-configurable design.

HERO INNOVATIONS



Stainless Steel Exoskeleton (PEXO™)



Smart customisable modular build.



Centralised control for safety and effectiveness



Anti-vibration Protection System (AVPS)™



JW Premium Italian pumps.



Skid configuration, with integrated forklift pockets.

MAIN FEATURES

Genuine HONDA™ approved engine

Jetwave Safety System (JSS™)

Slow pump running speed

15m double steel braided hose

Professional accessories

Emergency Stop

FIELDS OF APPLICATION

Mining Industry

Civil Construction

Cleaning Contractors

Construction Tradesmen

Government and Councils

Facilities Management

Roofing Contractors

Hire & Rental

SENATOR G2



PETROL

4060 PSI • 21 L/PM
5075 PSI • 23 L/PM

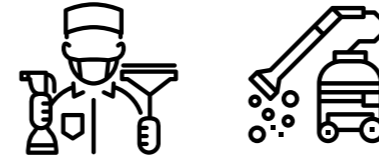
SENATOR G2FI



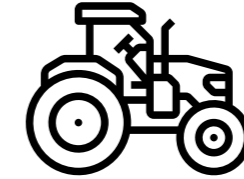
EFI PETROL

4060 PSI • 31 L/PM
5075 PSI • 25 L/PM
7000 PSI • 18 L/PM

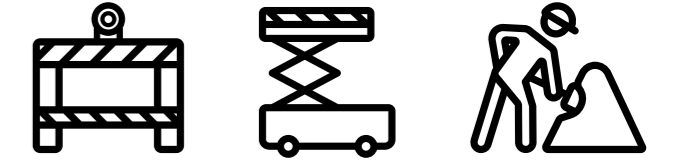
CLEANING CONTRACTORS



AGRICULTURAL EQUIPMENT



HIRE & RENTAL



MARINE MANAGEMENT



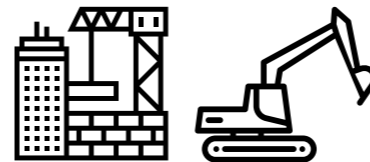
INFRASTRUCTURE CLEANING



MINING INDUSTRY



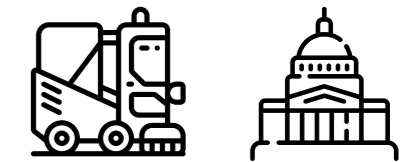
CIVIL CONSTRUCTION



FACILITIES MANAGEMENT



GOVERNMENT AND COUNCIL





Residential



Homeowners will see investment with your professional specialised machinery. Add a specialist service and contribute to your businesses improved charge out rates.

Industrial



Heavy industry can produce some heavy cleaning requirements. You need the most powerful, effective and efficient equipment to provide scope for your cleaning.

Commercial



From the local bakery to the largest commercial office buildings, the Senator G2 range gets the job done powerfully so you can win more jobs and get back to more business.

Municipal



We aim to provide you more versatility to tender and win jobs with cost effective investment into equipment and available options.

SENATOR™ G2

A decisive step into the future of pressure washing technology with a product categorically developed for a commercial cleaning professional.

The Senator G2 dramatically improves and revolutionises the most significant aspects of a multi cylinder gearbox driven petrol pressure washing unit, and the overall experience for its category.

It introduces innovative never seen before bespoke precision CNC design and capability on a high pressure washer. The best performance, technology integration and life protection ever in such machinery. A range of endless mounting possibilities.

A Formed Stainless Steel Exoskeleton provides protection from the elements for the life of your investment and functional centralised control with enhanced heavy duty JW Italian pump. It looks every bit as powerfully cutting edge as it is.

This is the Senator G2™.



SENATOR G2 PRODUCT VIDEO





HERO INNOVATION

STAINLESS STEEL

EXOSKELETON

HERO INNOVATIONS



STAINLESS STEEL EXOSKELETON



STAINLESS STEEL EXOSKELETON VIDEO

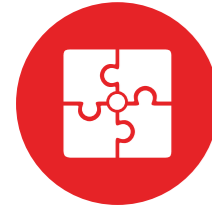
PROTECTION & SAFETY

The industrial precision CNC formed Stainless Steel exoskeleton provides enduring protection to the entire machine and importantly its critical working components protecting it from harsh outdoor weather elements and on site overspray.

BENEFITS

- 01 Compact space saving design.
- 02 Unit and operator safety maximised.
- 03 Made of heavy duty formed stainless steel.
- 04 New attractive and aesthetic design.
- 05 All critical components are still reachable for maintenance / minor repair operation.
- 06 Longer working life of your investment.
- 07 Increases reliability.
- 08 Mitigates risk of down time.
- 09 Easy removable cover for serviceability and maintenance checks.
- 10 Extend maintenance intervals.
- 11 Increased worksite safety.





MULTI CONFIGURATION



MULTI CONFIGURATION VIDEO

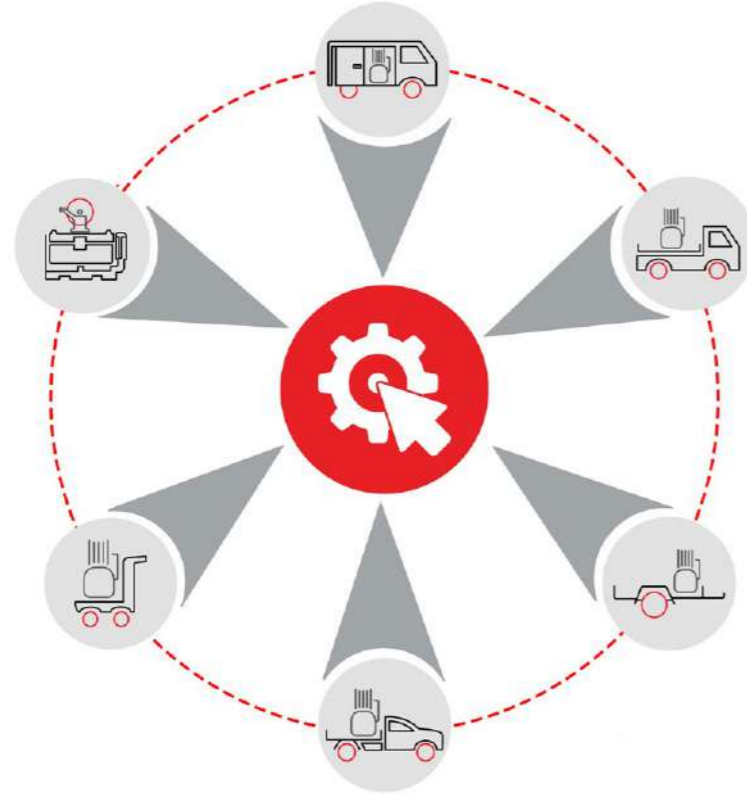
CUSTOMISABLE & INTUITIVE

New versatility suitable for almost any mounting arrangement you can imagine due to its industry leading compact modular design and configuration options.

Because the Senator G2 takes up less space it allows you to carry more gear and equipment so you're ready for anything.

BENEFITS

- 01 Spec the unit your exact way in the fleet.
- 02 Get your optimal machine set-up the way you want it.
- 03 Increase your space and productivity by optimal vehicle layout.
- 04 Extended versatility of the equipment in the fleet in case of any vehicle changes / upgrades.
- 05 Maximise vehicle storage space.
- 06 No ad-hoc unit fabrication.
- 07 Kit optionals available.
- 08 Multiple hose reel configurations.
- 09 More portable and uses less space in vehicle or jobsite.



15%
LESS CUBIC SPACE
THAN THE COMPETITION



CENTRALISED CONTROL



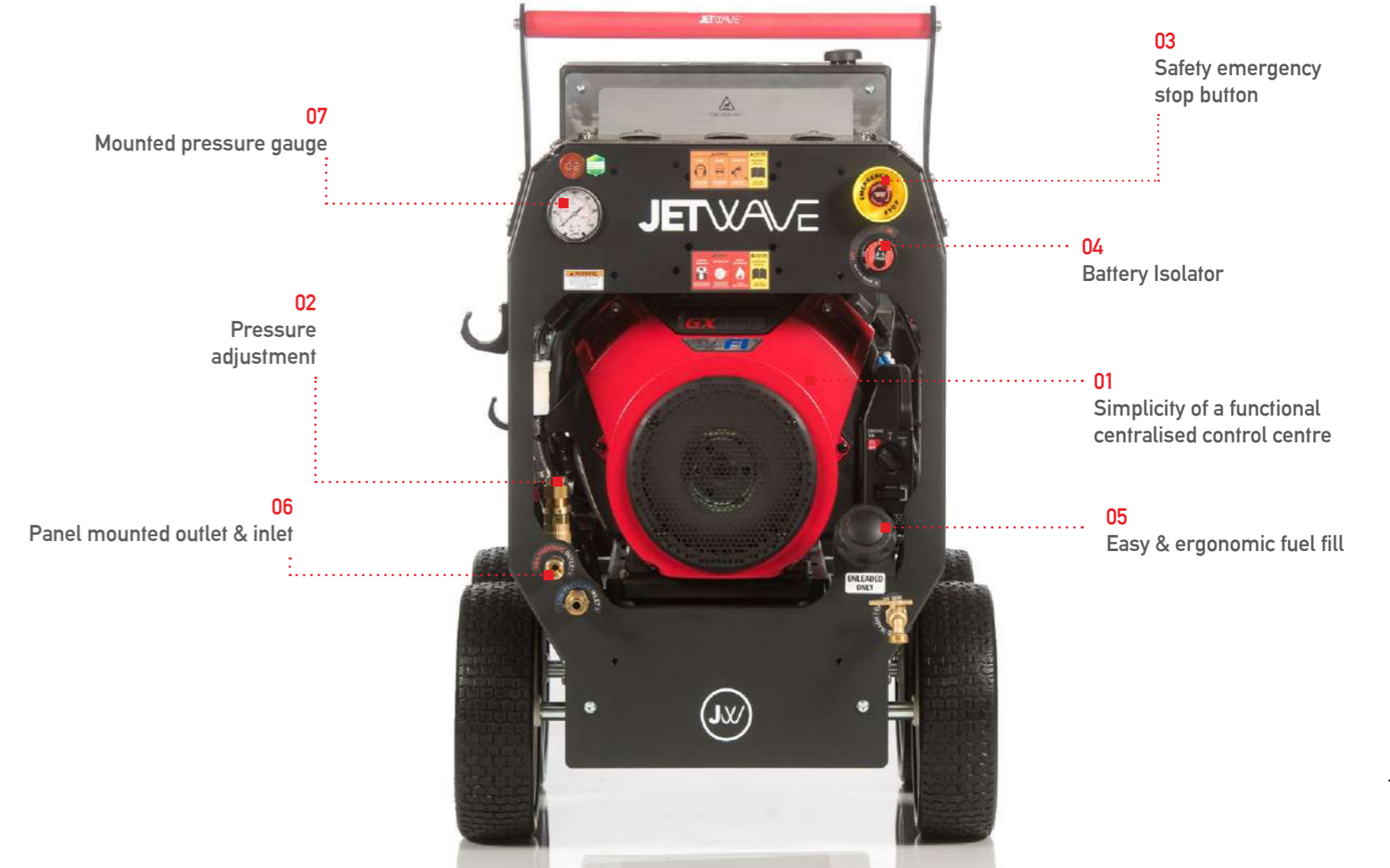
CENTRALISED CONTROL VIDEO

FUNCTIONAL & EFFECTIVE

Easily accessible front facing and panel mounted controls in order to maximise effectiveness, operator friendliness and mounting configuration.

BENEFITS

- 01 By having all control points accessible from one side it allows the user to quickly adjust pressure or stop the machine completely in an emergency.
- 02 Provides ease of plug & play connections for any mounting arrangements.
- 03 Having all components panel mounted reduces the risk of key components breaking, decreasing service costs and increasing reliability.





ANTI-VIBRATION PROTECTION SYSTEM™ (AVPS)



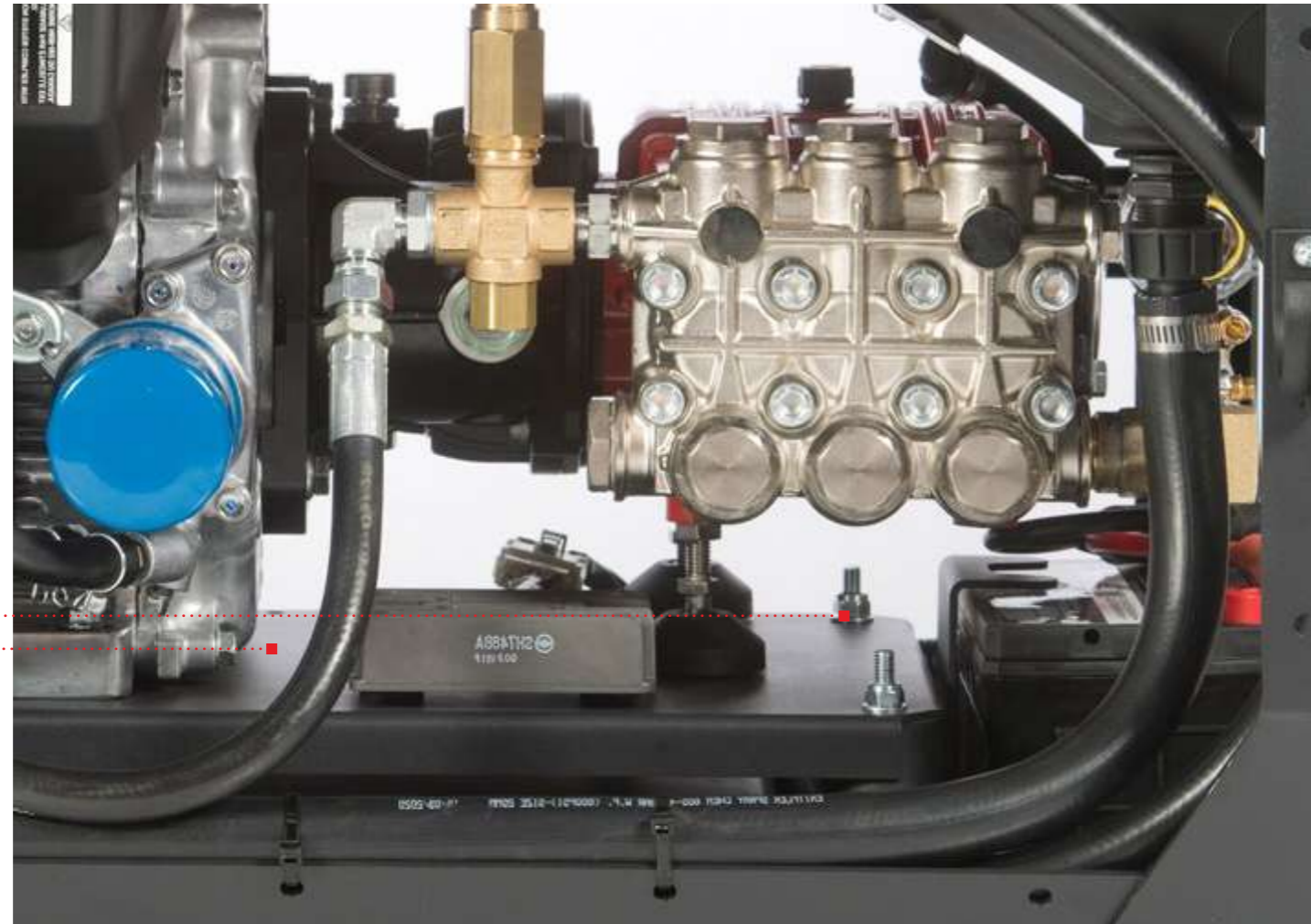
AVPS PROTECTION SYSTEM VIDEO

QUIETER & LONGER LIFE

The AVPS™ (Anti-Vibration Protection System) contributes to a quieter performance. It has a heavy duty steel motor plate to separate vibration frequency created from the power plant via high duro rubber and enforced steel dampeners.

BENEFITS

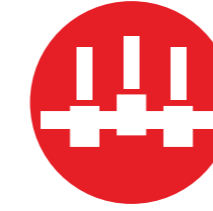
- 01 Contributes to quieter smooth operation.
- 02 Longer trouble free life.
- 03 Rust resistant galvanised steel independent motor plate.
- 04 4 x anti-vibration motor plate mounts.
- 05 Protection from overall frame distortion /weld cracking or damage.



Anti-vibration damper



Motor mount plate



JW PREMIUM PUMPS



JW PREMIUM PUMPS VIDEO

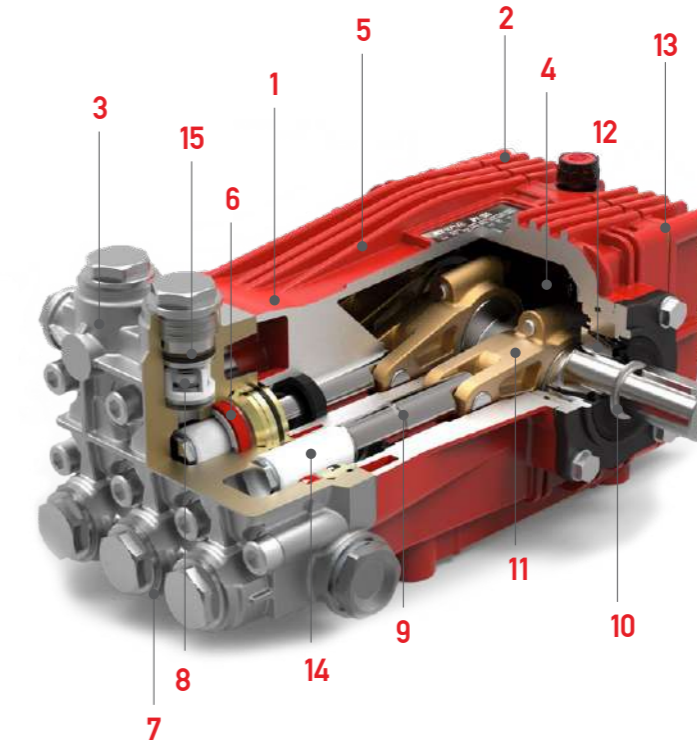
LOW MAINTENANCE & HIGH EFFICIENCY

The finest quality Italian raw materials are used in the newly developed JW Premium Pump range, it redefines the bench mark of quality. Designed in close cooperation with the ISO9001 research & development department of one of the worlds largest plunger pump manufacturers, this pump series is packed with exclusive innovative solutions to improve pump performance, reliability and longer life.

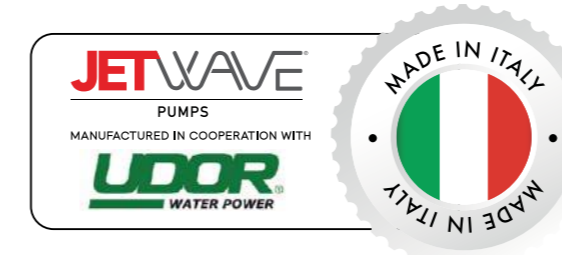
This new premium pump range guarantees the highest levels of reliability on the market even in the harshest of working conditions.

BENEFITS

- 1 NEW overall enhanced efficiency and aesthetic performance pump design.
- 2 NEW Extended/oversized rear crankcase to reduce oil temperatures and to run cooler for longer.
- 3 'Ni' Nickel treated brass forged manifold for anti-corrosion, and better resistance to fatigue
- 4 Magnetic oil drain plug to attract all microscopic material.
- 5 Red powder coated die cast aluminum crank case. Resulting in MORE Corrosion resistance.
- 6 Unique blended NBR seals for a longer life in heavy duty application.



- 7 Dust cover for seal protection in dirty environment.
- 8 Glass fibre impregnated valve cages for higher temperature resistance
- 9 Oversized Plunger guide with 'step' diameter for longer seal life.
- 10 Large, easily visible oil level sight glass.
- 11 Oversized two piece Bronze Conrods in special low friction bronze alloy to improve load distribution.
- 12 Premium quality bearings, for lower friction to ensure lower operating temperatures.
- 13 Teflon based gasket on rear cover to ensure better sealing at high oil temperature.
- 14 Extra thick solid ceramic pistons for greater durability to wear & thermal shock.
- 15 Stainless steel high volumetric efficiency inlet & delivery valves for greater cleaning performance





SKID CONFIGURATION



FORKLIFT POCKETS/SKID VIDEO

ERGONOMIC & VERSATILE

The skid design ensures the unit remains well planted at all times, preventing run-aways.

For transportation the forklift pockets and top lift access provide safety and convenience.

BENEFITS

- 01 Better maneuverability on-site and around jobs.
- 02 Secure your in vehicle load easily.
- 03 Multiple tie down points.
- 04 Increased stability.
- 05 Easy balanced trolley design.
- 06 Trolley kit available (optional)
- 07 Forklift pockets for easy lifting.



Forklift Pockets

SHOWN WITH OPTIONAL FRONT DOUBLE STACK KIT



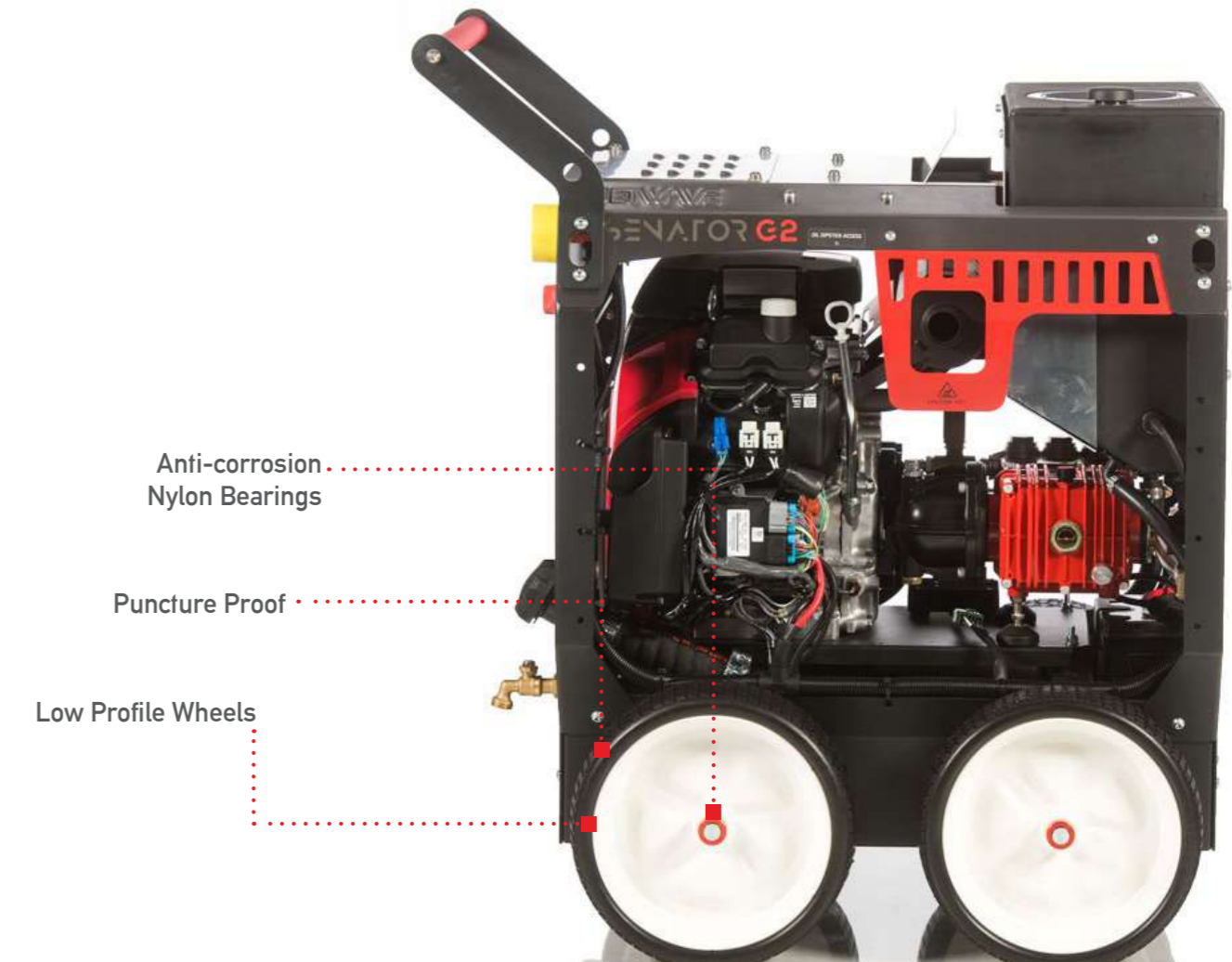
OVERSIZE ANTI-FLAT ALL-TERRAIN WHEELS

PORTABLE & RELIABLE

The specifically developed, globally sourced oversize anti-flat all-terrain wheels makes for better reliability when moving your equipment across the job site every time.

BENEFITS

- 01 Allows the unit to be mobile on any surface
- 02 No flat tyres

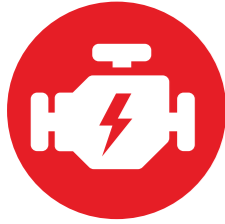


Anti-corrosion Nylon Bearings

Puncture Proof

Low Profile Wheels

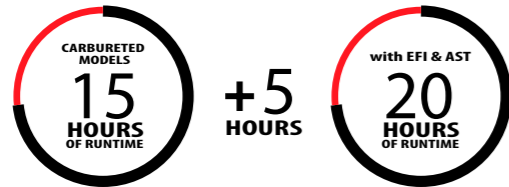
OPTIONAL UPGRADE



EFI ENGINE



HONDA IGX800/700 VIDEO



OPTIMISED & EFFICIENT

The V-Twin Honda iGX 700/800 petrol engine delivers some of the best power, performance and reliability in its class. With its automotive style EFI closed loop technology it optimises all engine speeds and loads.

BENEFITS

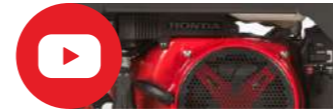
- 01 Yields a 25% decrease in fuel consumption (multiplies with auto-speed technology).
- 02 Quieter operation.
- 03 Save on running and maintenance costs.
- 04 Meets global emission compliance.
- 05 Environmentally friendly option.
- 06 Easy start with air fuel altitude compensation.
- 07 Global parts availability and back-up service network.
- 08 Matched pump to engine load.
- 09 Exclusive flat style air cleaner for more compactness.
- 10 Improved state fuel resistance.



ONLY WITH iGX UPGRADE



AUTO-SPEED TECHNOLOGY (AST™)



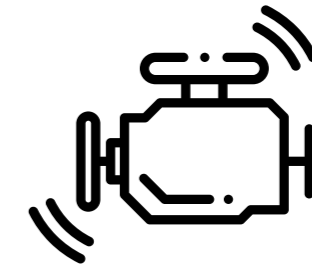
AUTO SPEED TECH VIDEO

LOWERS SOUND LEVELS

Auto-speed technology, a Jetwave exclusive, provides a link from pump to engine, in effect when pressure cleaning is not taking place the engine will decrease to idle RPM speed and back up to optimal RPM full speed to achieve working pressure and flow for the Jetting process. Allowing you to get more out of your equipment putting it to work for longer ultimately effecting positively your bottom line.

BENEFITS

- 01 Optimises engine speeds to load.
- 02 Significantly extended run times.
- 03 Decreases fuel consumption.
- 04 Drastically decreased noise levels.
- 05 Less RPMs equals less maintenance costs.
- 06 Reduces emissions and exhaust gases.
- 07 Allows you to work day and night.
- 08 Fewer refueling trips.
- 09 Deliver maximum runtime.

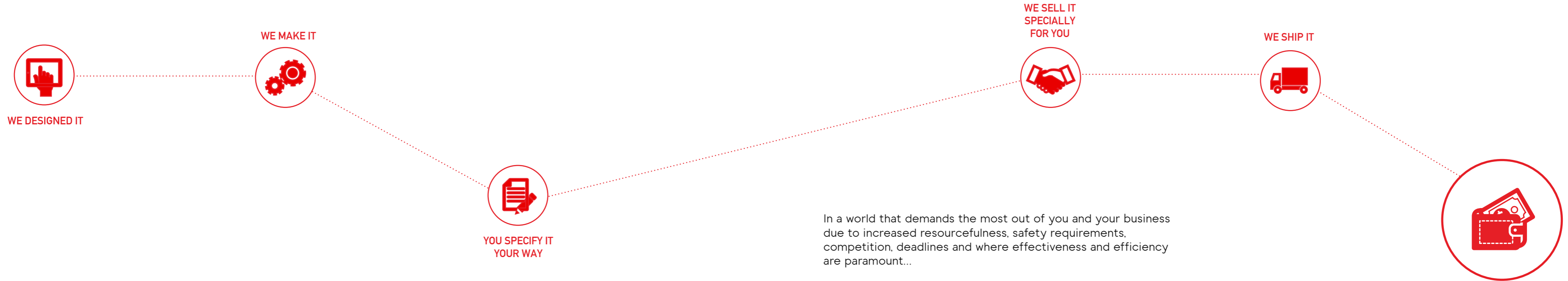


NON-OPERATIONAL SPEED



PERFORMANCE SPEED





In a world that demands the most out of you and your business due to increased resourcefulness, safety requirements, competition, deadlines and where effectiveness and efficiency are paramount...

We introduce the next step in high pressure cleaners; the Senator G2 will transform your investment with purpose built specification and options, installation compactness and flexibility. While ensuring a long performance hassle free life with a product that is made specifically for your business.

Empowering you with new possibilities to grow and diversify your pressure washing business.

STANDOUT FEATURES



JW Professional Italian Pump



Low speed pump



V-TWIN Honda™ Engine



Dual M22 quick coupling



Heavy duty inlet water filter



Brass adjustable unloader valve



JW PREMIUM ITALIAN PUMP
Jetwaves professional Italian triplex plunger pump delivers performance and longer life.

LOW SPEED PUMP
Low speed professional pump for increased reliability and longer maintenance intervals.

V-TWIN HONDA™
Industrial series OHV engine for maximum performance of the jetting machine.

CENTRALISED CONTROL FASCIA PANEL
All unit controls ergonomically placed front facing for maximum mounting versatility and operator comfort.

FRAME STRUCTURE
Modular and compact precision CNC design incorporating provision for mounting kits.

COVER PROTECTION
Sturdy industrial formed stainless steel cover protection for durability and enduring component protection for the life of your investment

INTEGRATED FORKLIFT POCKETS
Easy transportation via forklift around on-site.

HEAVY DUTY
Washable viewable inlet water filter.



Emergency stop



Forklift pockets



Jetwave Safety System



Battery isolator



Professional line accessories



Stainless steel pressure gauge

STANDOUT FEATURES

EZY CLIP LATCH

Quick easy latched hinged cover for essential component checking.

JETWAVE SAFETY SYSTEM (JSS)

Safety & thermal valve to prevent overpressurisation and damage in excessive bypass.

INTEGRATED ACCESSORY STORAGE

Storage for gun and lance for ease of use.

ANTI-VIBRATION SYSTEM (AVPS)

Boasts life expectancy and ensures a longer, quieter unit performance.

STAINLESS STEEL PRESSURE GAUGE

Stainless steel pressure gauge to ensure reliable pressure monitoring.

BRASS ADJUSTABLE UNLOADER VALVE

For long trouble free life.

EMERGENCY STOP

For on site safety and emergency stop of the machine to prevent injuries or breakages.

BATTERY ISOLATOR

For more on-site safety and make sure no battery is drained.

FUEL TANK

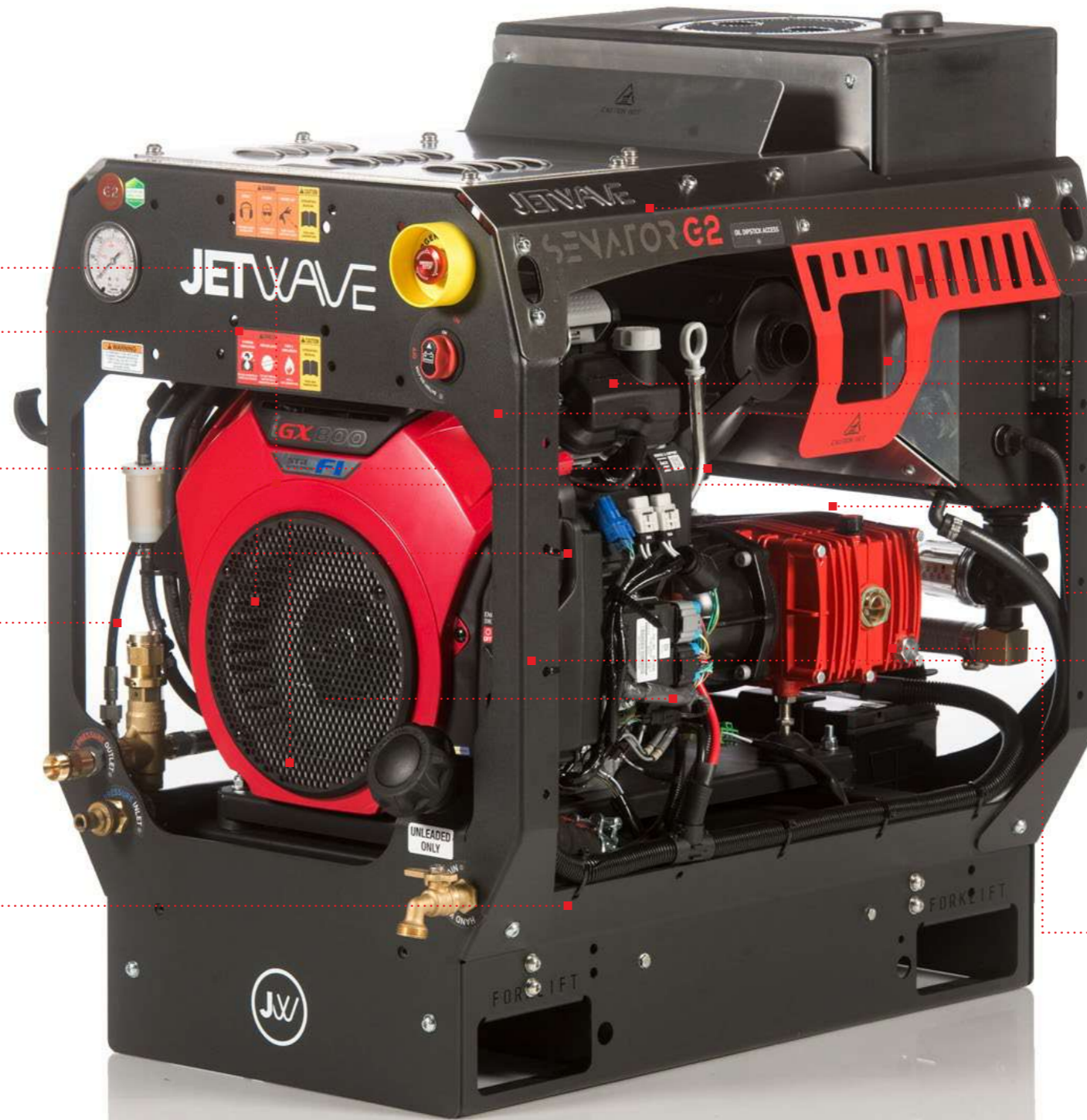
Large 25L Capacity for long runtime with level gauge.

HOUR METER

Built in as standard for all service + interval tracking

OPTIONAL WATER TANK

40L water bypass & feed tank, sealed and seamless design.



PAYBACKS IN INNOVATION YOU CAN TAKE TO THE BANK

Operator safety and functionality greater than ever before.

Reduce expenses and downtime.

Choice of performances of 3600 psi - 7000 psi to 16 - 31 l/pm,

Improve productivity and job site safety.

Increase runtime.

Optimise space via configurations, meaning more room in your van, truck or work trailer for other job site tools and equipment.

Decreased risk of operator error.

Maintenance costs squeezed.

Lower cost of ownership long term.

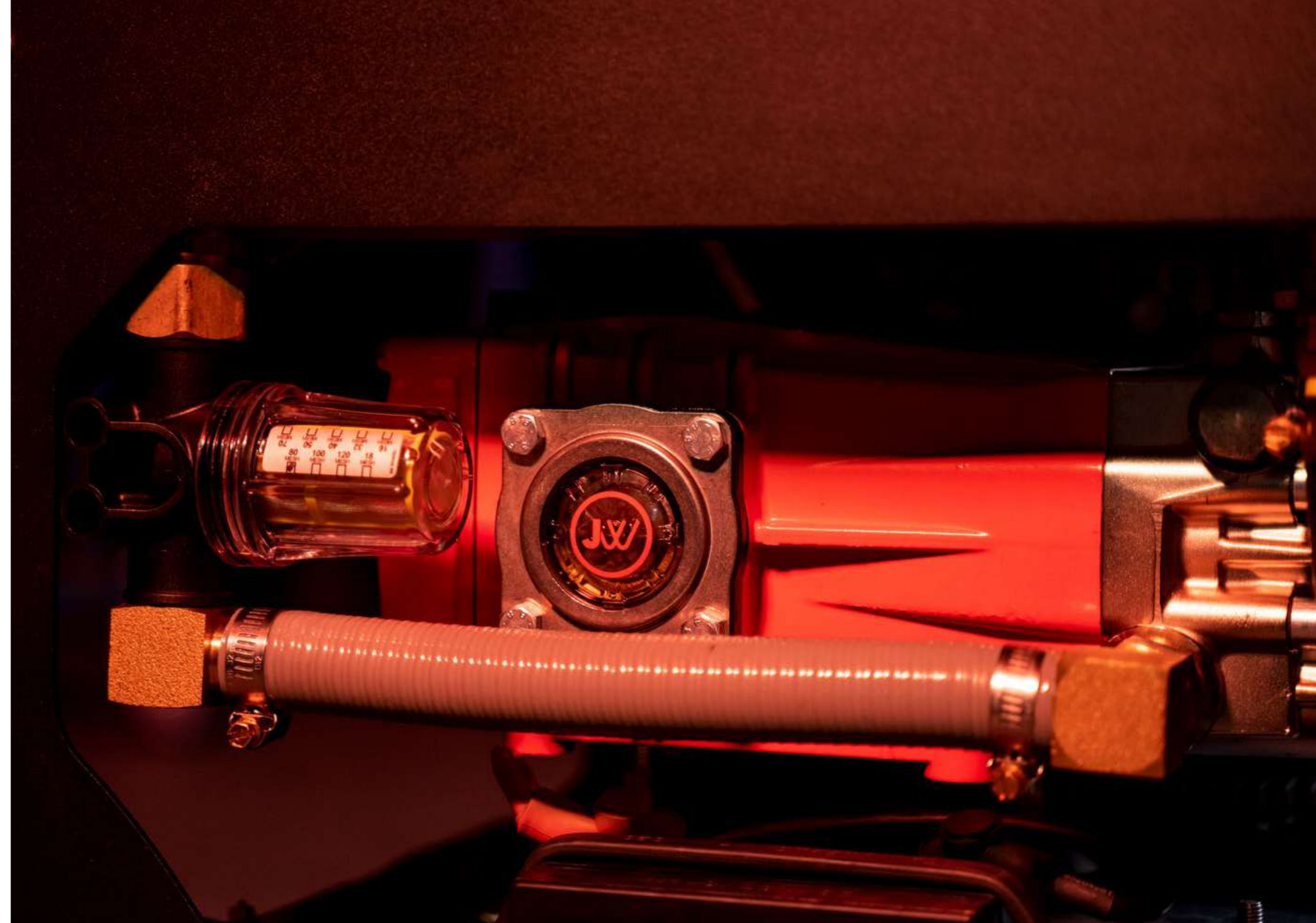
Product longevity.

Investment protected.

Jobs done faster, safer and more efficient.

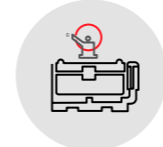
Versatility across mounting/vehicle configurations to provide space savings.

Centralised integrated operator control and adjustment on the fly.



Seamlessly mount your way.

OVER **15** SOLUTIONS
1 PRODUCT



SKID MOUNT



1.0 Skid - No Reel



1.1 Skid - Top Hose Reel



1.2 Skid - Top Hose Reel with Roller Guide (HGS™)



1.3 Skid - Front Hose Reel



1.4 Skid - Front Double Stacked Hose Reels



1.5 Skid - Top Double Stack Hose Reels



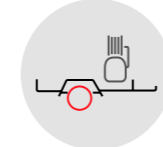
TROLLEY MOUNT



2.1 Trolley Kit - Top & Front Hose Reels & Hose Reel Guide



2.1 Trolley Kit - Top & Front Hose Reels & Hose Reel Guide



TRAILER MOUNT



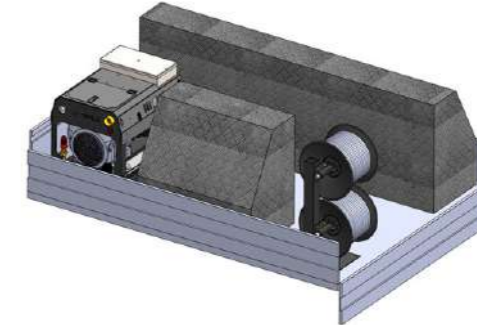
3.0 Unit + 1000L Water Tank + Trailer - Double hose reel.



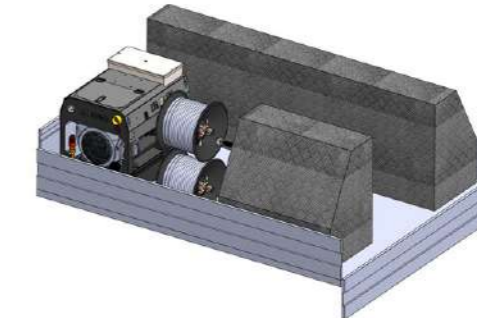
3.1 Unit + 200L Water Tank + Trailer + Hose Reels



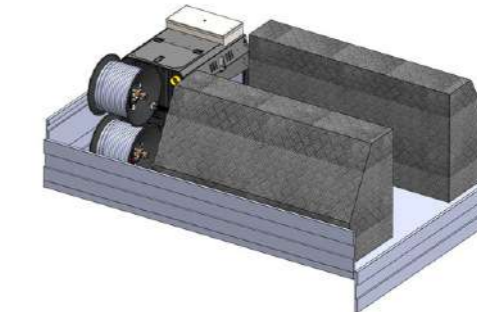
UTE MOUNT



4.0 Ute - Unit + Double Stack Post Rear



4.1 Ute - Unit + Double Stack Post Side



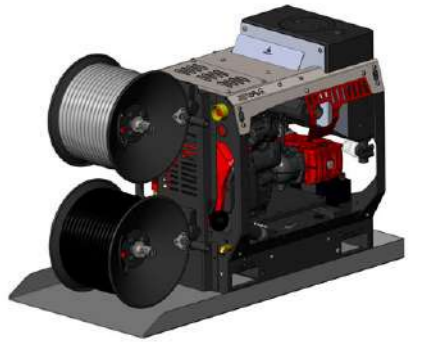
4.2 Ute - Front Double Stack (on unit)



VAN MOUNT



5.0 Skid Cube - Double Stacked Hose Reels, Water Tank & Skid



5.1 Skid Van Pack - Double Stacked Front Hose Reels with Drip tray and modified exhaust

200-300 BAR EQUIPMENT



J5000 DUROTECH GUN



Ergonomic J5000™ Durotech™ Gun heavy duty spray gun with back part lance and centre quick coupling.

P/N: JW5000

TWIN LANCE



Twin Lance with variable pressure adjustment with stainless steel hardened nozzle.

P/N: 41091900-04

DWB HOSE



15m of 3/8" double wire braided hose with quick coupling.

P/N: JWA017

350 BAR EQUIPMENT

350 BAR GUN & STAINLESS STEEL LANCE



Industrial duty with low pull force trigger & Stainless steel single lance with hardened nozzle and protector.

P/N: TBC

HONDA iGX700 FUEL INJECTED MOTOR UPGRADE



Intelligent electronic fuel injected Honda motor upgrade that comes with auto speed technology.

P/N: JWA-F12

DOUBLE TOP STACK KIT



Main package with primary high pressure reel top mounted + low pressure feed reel top mounted for rear or side access.

P/N: JWA-430

DOUBLE STACKED FRONT HOSE REEL KIT



Main package with primary HP reel front mounted + double stack kit for low pressure feed reel front mounted.

P/N: JWA-429

TOP AND FRONT HOSE REEL KIT



Main package with primary high pressure reel top mounted + low pressure feed reel front mounted + hose roller guide system + 4 wheel trolley kit.

P/N: JWA-407A + 1065CMP LLP + JWA-HGS

500 BAR EQUIPMENT

500 BAR GUN & STAINLESS STEEL LANCE



500 Bar gun & stainless steel lance.

P/N: TBC

500 BAR DWB HOSE



10m of 3/8" DWB 500 Bar hose with m24 quick coupling.

P/N: TBC

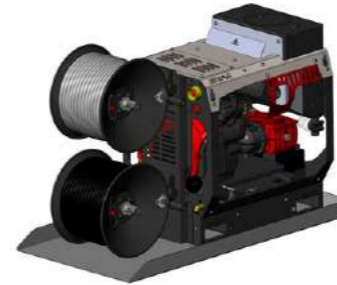
INCLUDED MACHINE UPGRADES

EMERGENCY STOP, ENGINE HOUR METER, BATTERY ISOLATOR, 4 WHEEL TROLLEY KIT



Included machine upgrades

VAN MOUNT KIT



Kit includes; Van drip tray, low pressure inlet reel & modified exhaust.

P/N: JWA-432

TROLLEY KIT



Trolley kit for portability of the pressure cleaner, kit includes; hardware, 4 x offroad puncture proof wheels, 2 x axles, 4 x wheel locking collar, soft grip handle

P/N: JWA-407A

LOW PRESSURE REEL



Low pressure feed reel with 30m of low pressure hose, lead hose & mounting hardware.

P/N: 1065CMP LLP

HGS - HOSE ROLLER GUIDE SYSTEM



Hose reel guide mounted onto the hose reel with roller guides.

P/N: JWA-HGS



TURBO HEAD WITH LANCE



Complete turbo head with lance for increased cutting power.

P/N: JWA160



JW12 FOAMING KIT



LS12 Foaming lance with tank.
P/N: JWA221-LS12



GIRAFFE™ TELESCOPIC LANCE



Alloy telescopic lance (7m) to reach high places

P/N: DCLTG24A4

ADDITIONAL HOSE



Extra high pressure hose per metre.
P/N: 52001



HAMMERHEAD FSC 21" - ABS PLASTIC



21" Flat surface cleaner for large surface areas.

P/N: JWA-FSC21



HAMMERHEAD FSC 21" - STAINLESS STEEL



21" Stainless Steel flat surface cleaner for large surface areas.

P/N: JWA-FSC22



HAMMERHEAD FSC 30" - STAINLESS STEEL



30" Stainless Steel Flat surface cleaner for larger surface areas.

P/N: JWA-FSC30

SLUDGE KIT



Sludge kit to remove water from areas.

P/N: 80005



OEM HOSE REEL 30M



High pressure hose reel with 30m capacity.

P/N: 1060CMPL



PRO RAPID HOSE REEL 60M



High pressure hose reel with 60m capacity.

P/N: 1067CMPL



PRO RAPID STAINLESS STEEL HOSE REEL 60M



High pressure stainless steel hose reel with 60m capacity.

P/N: 1067CMPLSS

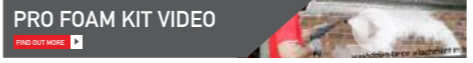


SANDBLASTING KIT



Use sand to cut different material surfaces, eg stripping paint.

P/N: JWA164



PRO FOAM KIT



Professional foaming kit for chemical cleaning.

P/N: PROFOAM

DRAIN CLEANING HOSE



15m of 1/8" Viperflex thermoplastic water jetting hose with nozzle.

P/N: HOP2X15VF-ASSY



DRAIN CLEANING KIT



Professional remote reel with hose & professional nozzle kit.

P/N: JWA-PDCK

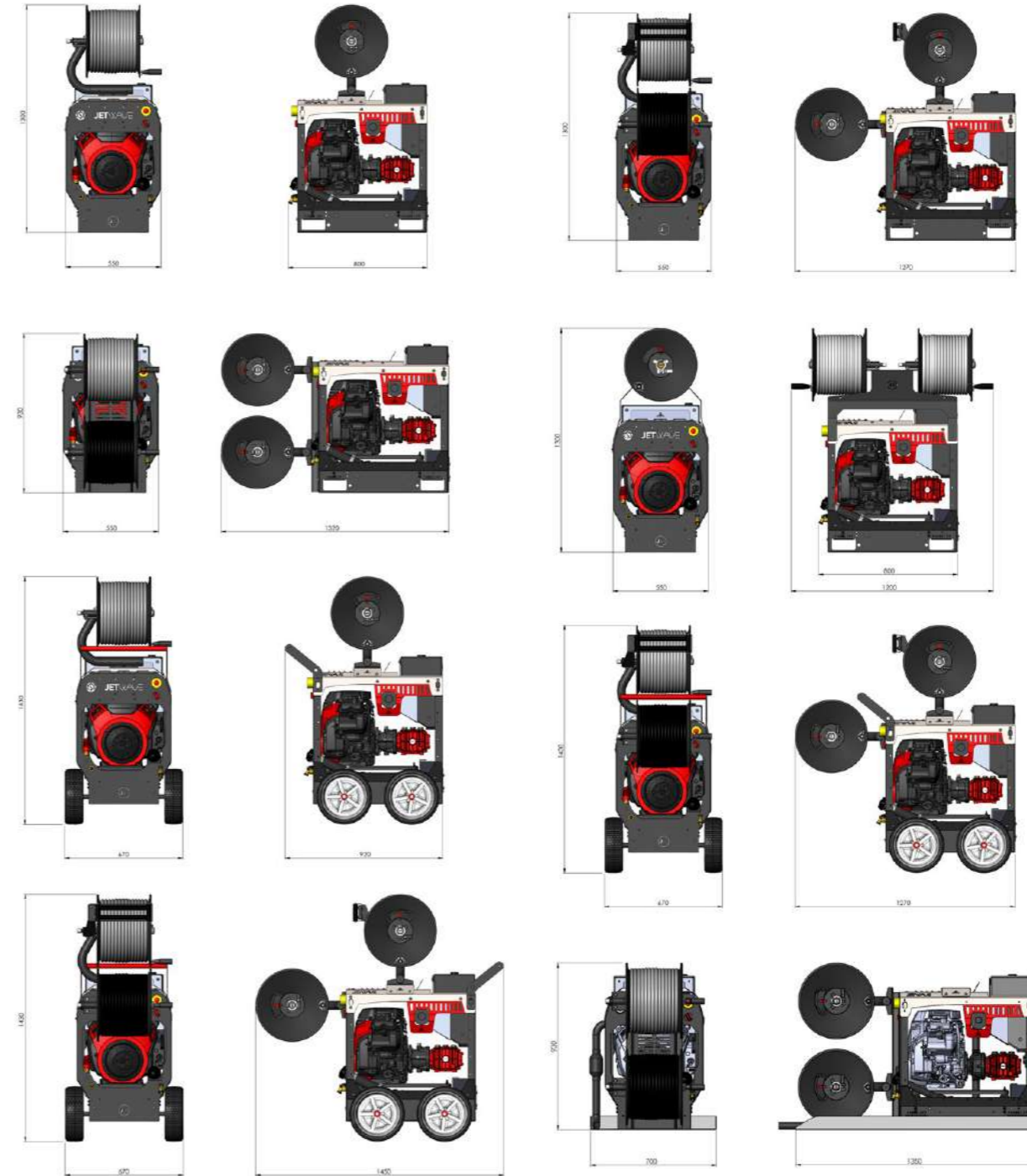
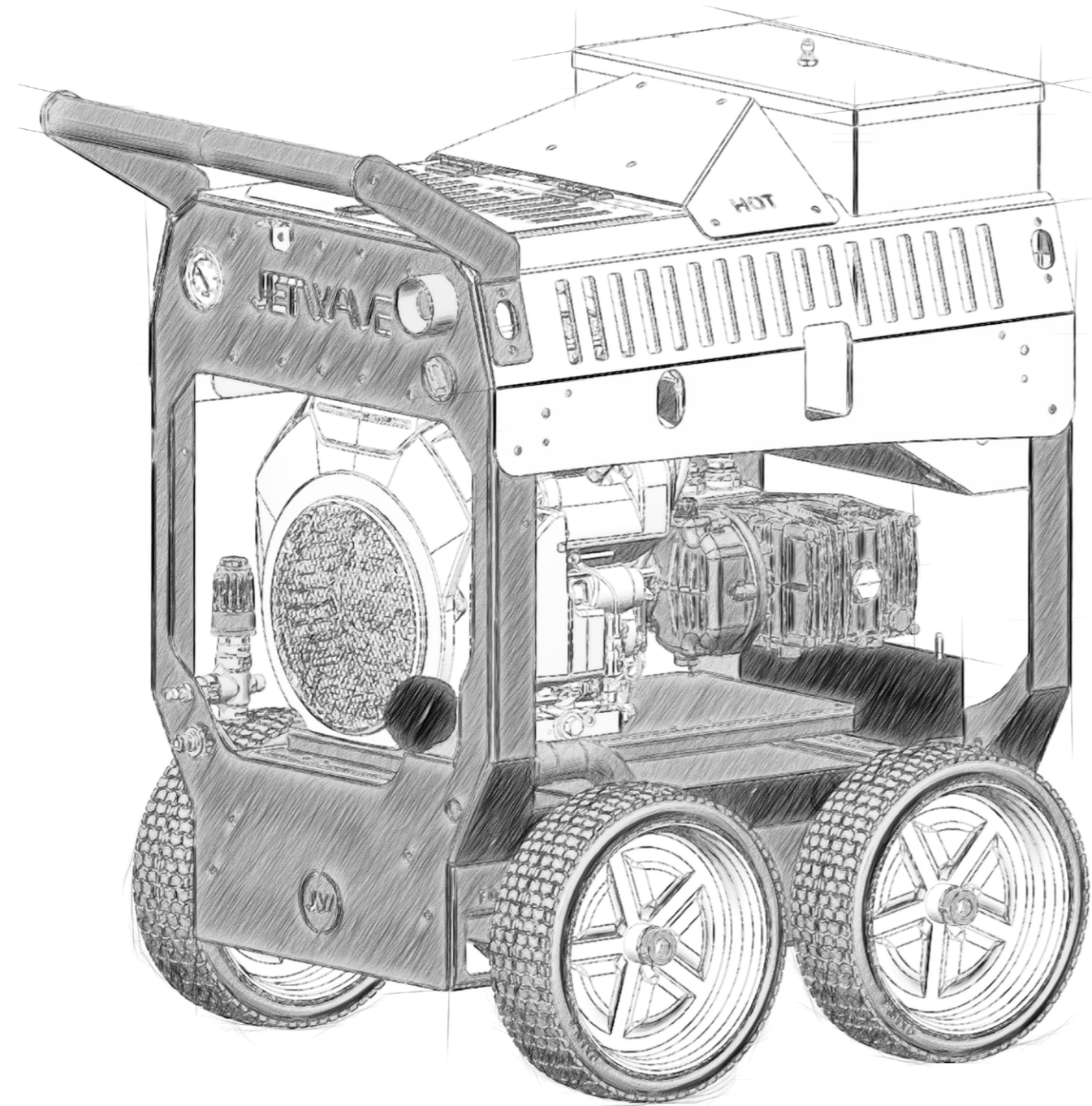
VULCAN V1 OR V2 HOTBOX



Portable burner for hot water.

V1 P/N: 10199
V2 P/N: 10198

CONCEPT SKETCH

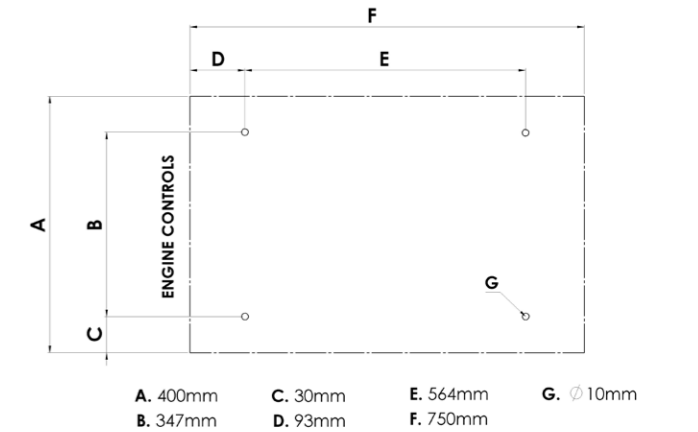


CRITICAL DIMENSIONS

Senator G2 represents better equipment for a better world. Our dedicated and passionate team aim to revolutionise the industry in which we operate in, therefore creating a professional value added product:

- To provide more results for your customers.
- Build job satisfaction and sustainability.
- Build your business by reducing expenses and adding to the bottom line.
- Build progress with better equipment for users contributing to a smarter, safer and more efficient world.

MOUNTING DATA



RANGE BUILD-UP

SENATOR G2 280-21 SENATOR G2FI 300-31 SENATOR G2 350-23 SENATOR G2FI 350-25 SENATOR G2FI 500-18







Product Code	p/n	CW4000-20PEG2	CW4000-31PEG2FI	CW5000-23PEG2	CW5000-25PEG2FI	CW7000-18PEG2FI
TECHNICAL DATA						
Working Pressure	psi / bar	4060 / 280	4060 / 280	5075 / 350	5075 / 350	7000 / 500
Flow Rate	l/pm	21	31	23	25	18
Max Water Inlet Temp	°c / °f	60 / 140	60 / 140	60 / 140	60 / 140	60 / 140
INTENDED APPLICATION						
Usage Frequency	hours / type	4 - 6 / daily	4 - 6 / daily	4 - 6 / daily	4 - 6 / daily	4 - 6 / daily
Class (AS/NZS: 4233)	A / B	B (5.880 BAR/LITRES)	B (8.680 BAR/LITRES)	B (8.050 BAR/LITRES)	B (8.750 BAR/LITRES)	A (5.520 BAR/LITRES)
Category of Dirt / Debris	type	Medium	Heavy	Heavy	Heavy	Very Heavy
MOTOR FEATURES						
Engine	type	HONDA™ GX630 (4 stroke, air cooled)	HONDA™ iGX800 (4 stroke, air cooled)	HONDA™ GX690 (4 stroke, air cooled)	HONDA™ iGX800 (4 stroke, air cooled)	HONDA™ iGX800 (4 stroke, air cooled)
Power	hp / cc	20 / 630	25 / 800	23 / 630	25 / 800	25 / 800
Fuel Supply	type	Unleaded	Unleaded	Unleaded	Unleaded	Unleaded
Fuel Capacity	litres	25	25	25	25	25
Low Oil Shutdown	y / n	Y	Y	Y	Y	Y
Starting System Standard	type	Electric Key Start	Electric Key Start	Electric Key Start	Electric Key Start	Electric Key Start
HYDRAULIC FEATURES						
Pump / Head / Pistons	type	JW® Italian Triplex Plunger / Brass (Nickel Plated) / Ceramic	JW® Italian Triplex Plunger / Brass (Nickel Plated) / Ceramic	JW® Italian Triplex Plunger / Brass (Nickel Plated) / Ceramic	JW® Italian Triplex Plunger / Brass (Nickel Plated) / Ceramic	JW® Italian Triplex Plunger / Brass (Nickel Plated) / Ceramic
Motor Pump Coupling	type	Gearbox Drive	Gearbox Drive	Gearbox Drive	Gearbox Drive	Gearbox Drive
Pump Speed	rpm	1450	1450	1450	1450	1450
Unloader Valve	type	Independent	Independent	Independent	Independent	Independent
Safety Valve	y / n	Y	Y	Y	Y	Y
Orifice / Nozzle	size	05	08	055	06	035

RANGE BUILD-UP cont.

OTHER FEATURES

Adjustable Pressure	y / n	Y	Y	Y	Y	Y
Hose Reel Provision	y / n	Y / 3 Positions	Y / 3 Positions	Y / 3 Positions	Y / 3 Positions	Y / 3 Positions
Frame Structure	type	CNC Modular skid with heavy gauge galvanized steel chassis and stainless steel cover	CNC Modular skid with heavy gauge galvanized steel chassis and stainless steel cover	CNC Modular skid with heavy gauge galvanized steel chassis and stainless steel cover	CNC Modular skid with heavy gauge galvanized steel chassis and stainless steel cover	CNC Modular skid with heavy gauge galvanized steel chassis and stainless steel cover
Onboard Accessory Storage	y / n	Y	Y	Y	Y	Y
Detergent Injector	y / n	Y	Y	N	N	N

WARRANTY(S)

Engine Warranty	years	3		3		3		3		3	
Pump Warranty	years	2		2		2		2		2	

*Coverage against defects in material and workmanship (refer to Jetwave's and component partners T&Cs).

PACKING DETAILS

DIMENSIONS & WEIGHT

Approx Weight	kg	195 unit / 220 boxed	200 unit / 220 boxed	195 unit / 220 boxed	200 unit / 220 boxed	200 unit / 220 boxed
Unit Dimensions	mm	1110(L) x 700(W) x 860(H)	1110(L) x 700(W) x 860(H)	1110(L) x 700(W) x 860(H)	1110(L) x 700(W) x 860(H)	1110(L) x 700(W) x 860(H)
Boxed Dimensions <small>*Add 120mm to height for pallet</small>	mm	970(L) x 600(W) x 670(H)	970(L) x 600(W) x 670(H)	970(L) x 600(W) x 670(H)	970(L) x 600(W) x 670(H)	970(L) x 600(W) x 670(H)
Number per Pallet	type: pieces	Custom:1	Custom:1	Custom:1	Custom:1	Custom:1
						

The manufacturer reserves the right to modify design features and technical facts without notice, due to our principals of continuous improvement.



V2.3 05/2022

Jetwave® and Senator G2™ are registered trademarks of Jetwave® Group Pty Ltd.

Distributed by:



SEWER CAMERAS AUSTRALIA
1300 660 358

For more information on our products, please visit jetwavegroup.com